

PARTS LIST

[XM-PX70WT/BU/PN]

* All printed circuit boards and its assemblies are not available as service parts.

Area suffix

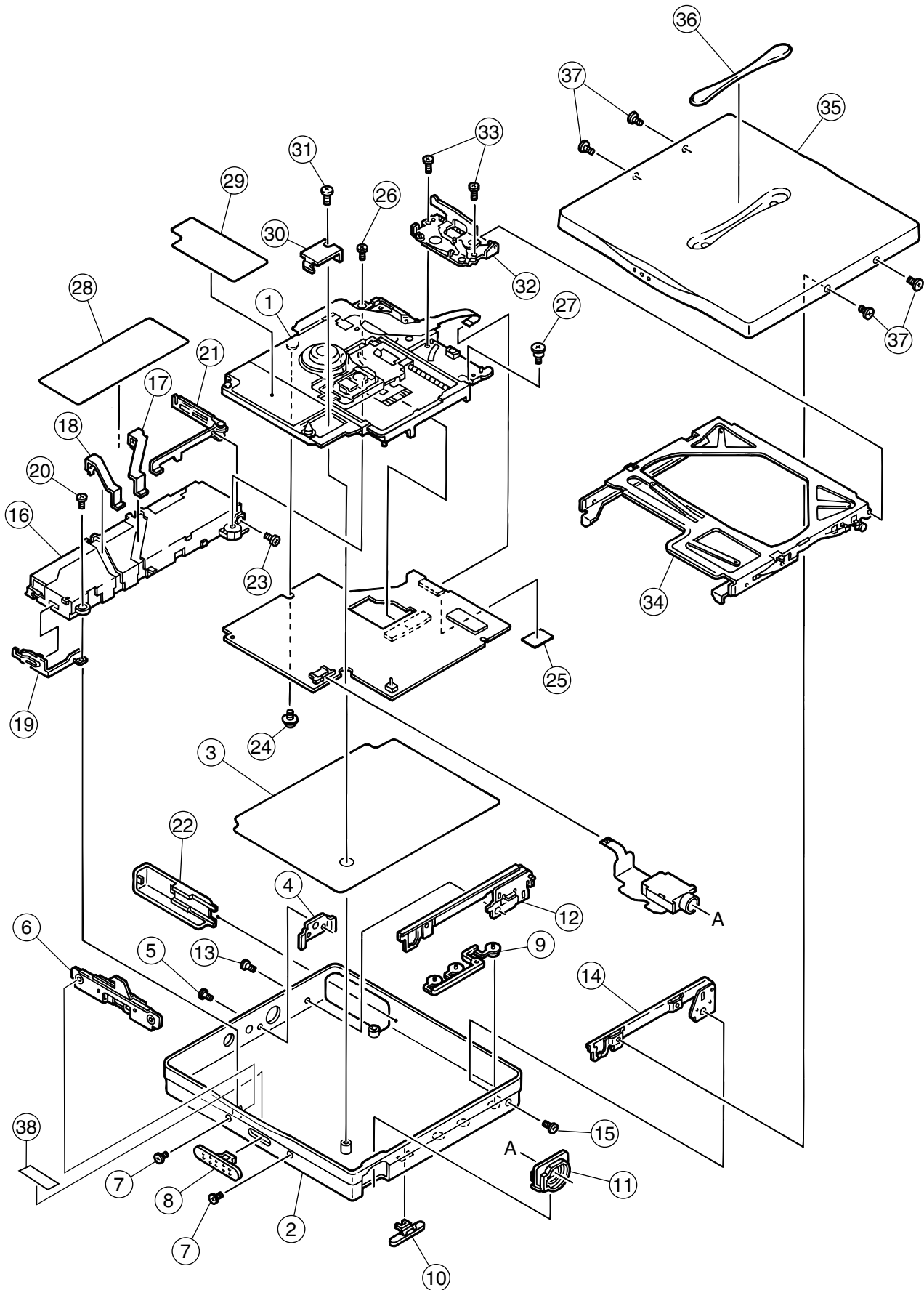
UB ----- Hong Kong

- Contents -

Exploded view of general assembly and parts list	3-2
MD mechanism assembly and parts list	3-4
Electrical parts list	3-5
Packing materials and accessories parts list	3-8

Exploded view of general assembly and parts list

Block No. M 1 M M



Parts list (General assembly)

Block No. M1MM

△	Item	Parts number	Parts name	Q'ty	Description	Area
	1	-----	FLM-FPM	1		
	2	LV10423-005A	BOTTOM CASE	1	XM-PX70BU	
		LV10423-205A	BOTTOM CASE	1	XM-PX70BU	
		LV10423-006A	BOTTOM CASE	1	XM-PX70PN	
		LV10423-204A	BOTTOM CASE	1	XM-PX70WT	
		LV10423-206A	BOTTOM CASE	1	XM-PX70PN	
	3	LV41974-001A	INSULATOR	1		
	4	LV41975-001A	BRACKET	1	FOR BOTT.CASE	
	5	LV41215-003A	MINI SCREW	1	FOR BRACKET	
	6	LV32226-001A	EJECT ASSY	1		
	7	LV41215-003A	MINI SCREW	2	EJECT ASSY	
	8	LV32220-001A	OPEN KNOB	1		
	9	LV32221-001A	PUSH BUTTON	1		
	10	LV32222-001A	SLIDE KNOB	1	VOL/SKIP/HOLD	
	11	LV32225-001A	H.P JACK HOLDER	1	XM-PX70WT	
		LV32225-003A	H.P JACK HOLDER	1	XM-PX70PN	
		LV32225-002A	H.P JACK HOLDER	1	XM-PX70BU	
	12	LV32231-001A	ARM(L) ASSY	1		
	13	LV41215-003A	MINI SCREW	1	ARM ASSY	
	14	LV32232-001A	ARM(R) ASSY	1		
	15	LV41215-003A	MINI SCREW	1	ARM ASSY	
	16	LV20877-001A	BATTERY HOLDER	1		
	17	LV31332-003A	CHG CONTACT (+)	1		
	18	LV31333-005A	CHG CONTACT (-)	1		
	19	LV31334-003A	BATT CONTACT(-)	1		
	20	LV40241-006A	SPECIAL SCREW	1	FOR B.CON(-)+B.	
	21	LV31335-005A	B.CONTACT ASSY	1		
	22	LV32223-001A	BATT LID	1	XM-PX70WT	
		LV32223-003A	BATT LID	1	XM-PX70PN	
		LV32223-002A	BATT LID	1	XM-PX70BU	
	23	VKZ4616-008	SCREW	1	B.CONTACT ASSY	
	24	LV40242-001A	MINI SCREW	1	PCB	
	25	LV30225-0A6A	SPACER	1	FOR MECHA WIRE	
	26	LV40241-005A	SPECIAL SCREW	1	MECHA+BATT.HOLD	
	27	QYSPSPU1420N	SCREW	1	FOR PCB	
	28	LV42142-001A	SHEET	1	FOR BATT HOLDER	
	29	LV31339-004A	CAUTION LABEL	1		
	30	LV32224-001A	JACK COVER	1		
	31	QYSPSPU1420N	SCREW	1	FOR JACK COVER	
	32	LV31294-001A-S	EJECT UNIT	1		
	33	QYSPSFT1425M	MINI SCREW	2		
	34	LV20881-003A	HOLDER ASS'Y	1		
	35	LV32219-006A	MD DOOR ASSY	1	XM-PX70PN	
		LV32219-204A	MD DOOR ASSY	1	XM-PX70WT	
		LV32219-206A	MD DOOR ASSY	1	XM-PX70PN	
		LV32219-005A	MD DOOR ASSY	1	XM-PX70BU	
		LV32219-205A	MD DOOR ASSY	1	XM-PX70BU	
	36	LV41973-001A	LENS	1	XM-PX70WT	
		LV41973-002A	LENS	1	XM-PX70PN	
		LV41973-003A	LENS	1	XM-PX70BU	
	37	LV41215-003A	MINI SCREW	4	DOOR	
	38	LV30225-0A8A	SPACER	1		

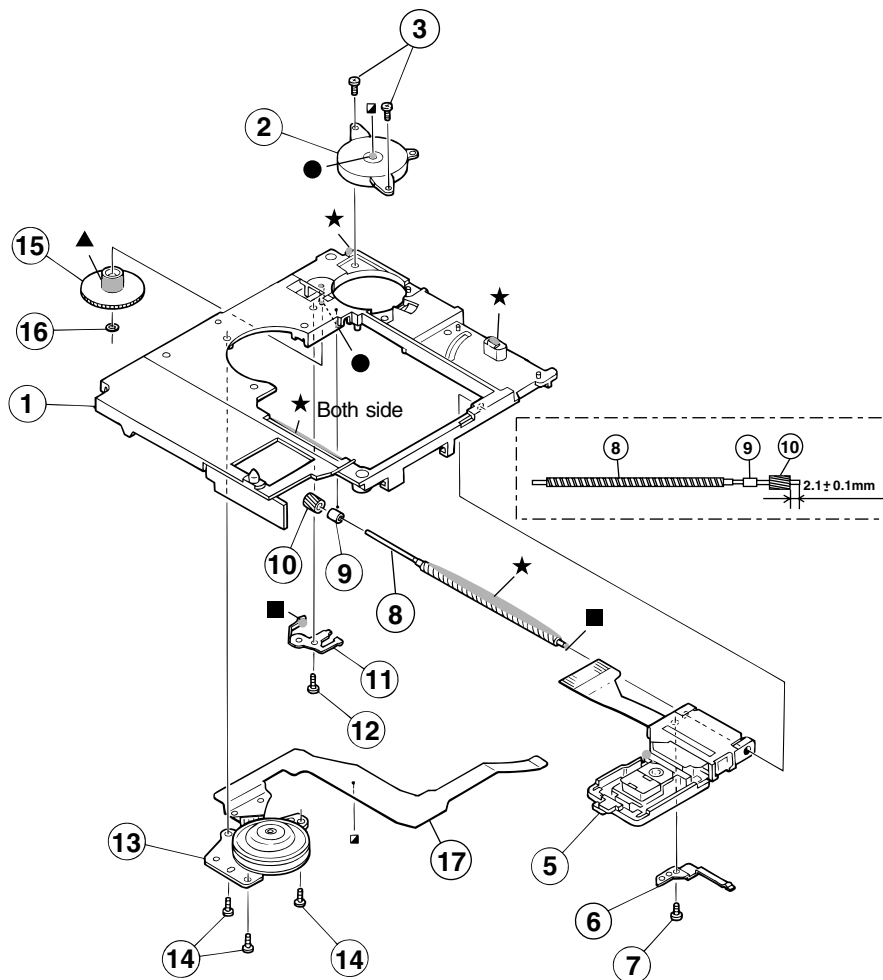
MD mechanism assembly and parts list

Block No. M 2 M M

FLM-FPM

Grease

- ★ = FL-7750
- ▲ = CFD-4007HY2
- = FG-87HS
- = 948P



■ Parts list (MD mechanism)

Block No. M2MM

⚠	Item	Parts number	Parts name	Q'ty	Description	Area
	1	LV20882-001A	CHASSIS ASS'Y	1		
	2	QAR0113-001	FEED MOTOR	1		
	3	QYSPSFT1425M	MINI SCREW	2		
	5	QAL0237-001	PICK UP	1		
	6	LV32031-001A	LEAD SPRING	1		
	7	QYSPSGT1425N	MINI SCREW	1		
	8	LV32114-001A	LEAD SCREW	1		
	9	LV41132-001A	METAL	1		
	10	LV41133-001A	WHEEL GEAR	1		
	11	LV41134-003A	SHAFT HOLDER	1		
	12	QYSPSFT1425M	MINI SCREW	1		
	13	QAR0112-001	SPINDLE MOTOR	1		
	14	QYSPSFT1425M	MINI SCREW	3		
	15	LV41141-002A	WORM GEAR	1		
	16	WDM082520	SLIT WASHER	1		
	17	LVB10188-001A	MECHA FPC	1		

■ Electrical parts list (Main board)

Block No. 01

△	Item	Parts number	Parts name	Remarks	Area	△	Item	Parts number	Parts name	Remarks	Area
	C 62	NCB31HK-102X	C CAPACITOR				C 500	NCB21AK-105X	C CAPACITOR		
	C 63	NCB31HK-102X	C CAPACITOR				C 503	NCB31CK-104X	C CAPACITOR		
	C 64	NCB31HK-102X	C CAPACITOR				C 504	NCB21AK-105X	C CAPACITOR		
	C 65	NCB31HK-103X	C CAPACITOR				C 506	NCB31CK-104X	C CAPACITOR		
	C 102	NCS31HJ-391X	C CAPACITOR				C 507	NCB31CK-104X	C CAPACITOR		
	C 103	NCB21AK-105X	C CAPACITOR				C 508	NCB30JK-105X	C CAPACITOR		
	C 111	NCB21CK-224X	C CAPACITOR				C 590	NCB31HK-102X	C CAPACITOR		
	C 112	NCB31AK-224X	C CAPACITOR				C 602	NCB30JK-105X	C CAPACITOR		
	C 113	NBFA0GM-157X	TS E CAPACITOR				C 603	NCB30JK-105X	C CAPACITOR		
	C 202	NCS31HJ-391X	C CAPACITOR				C 604	NCB21AK-105X	C CAPACITOR		
	C 203	NCB21AK-105X	C CAPACITOR				C 613	NBE90JM-106X	TS E CAPACITOR		
	C 211	NCB21CK-224X	C CAPACITOR				C 614	NBE90GM-475X	TS E CAPACITOR		
	C 212	NCB31AK-224X	C CAPACITOR				C 630	NCS31HJ-331X	C CAPACITOR		
	C 213	NBFA0GM-157X	TS E CAPACITOR				C 631	NCS31HJ-331X	C CAPACITOR		
	C 300	NCB31HK-103X	C CAPACITOR				C 901	NCB11AK-475X	C CAPACITOR		
	C 301	NCB31CK-273X	C CAPACITOR				C 902	NCS31HJ-221X	C CAPACITOR		
	C 302	NCB31CK-823X	C CAPACITOR				C 903	NBG40GM-226X	TS E CAPACITOR		
	C 308	NCB31HK-682X	C CAPACITOR				C 904	NBE40JM-476X	TS E CAPACITOR		
	C 309	NCB30JK-105X	C CAPACITOR				C 905	NDC31HJ-151X	C CAPACITOR		
	C 310	NCB31HK-472X	C CAPACITOR				C 906	NCB31CK-104X	C CAPACITOR		
	C 311	NCB30JK-105X	C CAPACITOR				C 921	NCB11AK-475X	C CAPACITOR		
	C 312	NCB31CK-333X	C CAPACITOR				C 923	NBRF0JM-476X	TS E CAPACITOR		
	C 313	NCB31AK-224X	C CAPACITOR				C 924	NDC31HJ-151X	C CAPACITOR		
	C 314	NCB31HK-103X	C CAPACITOR				C 941	NCB21AK-105X	C CAPACITOR		
	C 315	NCB31EK-223X	C CAPACITOR				C 943	NBE90JM-106X	TS E CAPACITOR		
	C 316	NCB31CK-104X	C CAPACITOR				CN301	QGF0515F3-20X	FFC CONNECTOR	PICK	
	C 317	NCB31HK-682X	C CAPACITOR				CN401	QGF0515F3-07X	FFC CONNECTOR	MECHA	
	C 318	NCB31HK-102X	C CAPACITOR				CN601	QGF0515F4-06X	FFC CONNECTOR	HP	
	C 319	NBE90JM-106X	TS E CAPACITOR				D 400	F02J4L-X	DIODE		
	C 320	NCB31HK-103X	C CAPACITOR				D 901	F1J2E-X	DIODE		
	C 321	NCB21CK-474X	C CAPACITOR				D 921	CRS01-W	SB DIODE		
	C 323	NCB21AK-105X	C CAPACITOR				D 941	CRS01-W	SB DIODE		
	C 324	NBE90GM-226X	TS E CAPACITOR				IC300	CXA2588R	IC		
	C 325	NCB31CK-104X	C CAPACITOR				IC351	CXD2672GA	IC	DSP	
	C 351	NBE90JM-106X	TS E CAPACITOR				IC400	MPC17A139MTB-X	IC		
	C 352	NBE90JM-106X	TS E CAPACITOR				IC450	CXA8095Q	IC		
	C 353	NBE90JM-106X	TS E CAPACITOR				IC501	UPD784225GK-617	IC(MCU)		
	C 354	NBE90JM-106X	TS E CAPACITOR				IC502	AK93C55BH-W	IC		
	C 355	NCS31HJ-7R0X	C CAPACITOR				IC504	IC-PST3421U-X	IC		
	C 356	NCS31HJ-7R0X	C CAPACITOR				IC601	JCV8002-W	IC		
	C 357	NCB21AK-105X	C CAPACITOR				IC901	XC6367B101M-X	IC		
	C 358	NCB21AK-105X	C CAPACITOR				IC921	XC6367B101M-X	IC		
	C 359	NCB30JK-105X	C CAPACITOR				IC941	XC6367B101M-X	IC		
	C 360	NCB31CK-104X	C CAPACITOR				K 101	NQR0129-004X	FERRITE BEADS		
	C 371	NCB31HK-103X	C CAPACITOR				K 201	NQR0129-004X	FERRITE BEADS		
	C 372	NCB21CK-474X	C CAPACITOR				K 601	NQR0129-004X	FERRITE BEADS		
	C 373	NCB21AK-105X	C CAPACITOR				K 602	NQR0129-004X	FERRITE BEADS		
	C 374	NCS31HJ-471X	C CAPACITOR				K 603	NQR0129-004X	FERRITE BEADS		
	C 376	NCB21CK-474X	C CAPACITOR				K 604	NQR0129-004X	FERRITE BEADS		
	C 377	NCB31HK-153X	C CAPACITOR				L 301	NQL365K-100X	INDUCTOR		
	C 401	NCB21AK-105X	C CAPACITOR				L 400	NQL114K-471X	INDUCTOR		
	C 402	NBE21CM-335X	TS E CAPACITOR				L 402	NRSA02J-0R0X	MG RESISTOR		
	C 403	NCB30JK-105X	C CAPACITOR				L 403	NRSA02J-0R0X	MG RESISTOR		
	C 404	NCB30JK-105X	C CAPACITOR				L 404	NRSA02J-0R0X	MG RESISTOR		
	C 450	NCB31CK-473X	C CAPACITOR				L 405	NRSA02J-0R0X	MG RESISTOR		
	C 454	NCB21AK-105X	C CAPACITOR				L 501	NQL302N-100X	INDUCTOR		
	C 456	NCB31HK-222X	C CAPACITOR				L 602	NQL38DM-1R0X	INDUCTOR		
	C 457	NCB31HK-102X	C CAPACITOR				L 901	NQL32CM-220X	INDUCTOR		
	C 458	NCB31CK-473X	C CAPACITOR				L 902	NQL114M-1R0X	INDUCTOR		
	C 459	NCB21AK-105X	C CAPACITOR				L 921	NQL43EM-220X	INDUCTOR		
	C 460	NCB31HK-682X	C CAPACITOR				L 941	NQL114K-101X	INDUCTOR		
	C 461	NCB31CK-473X	C CAPACITOR				Q 60	2SA2018-X	TRANSISTOR		
	C 463	NCB21AK-105X	C CAPACITOR				Q 61	DTC144EE-X	TRANSISTOR		

■ Electrical parts list (Main board)

Block No. 01

△	Item	Parts number	Parts name	Remarks	Area
	Q 63	2SC4617/QR/-X	TRANSISTOR		
	Q 64	2SC4617/QR/-X	TRANSISTOR		
	Q 300	2SB1219/RS/-X	TRANSISTOR		
	Q 301	DTA144EE-X	DIGI TRANSISTOR		
	Q 901	FMMT617-X	TRANSISTOR		
	Q 904	DTA124XUA-X	TRANSISTOR		
	Q 906	SSM3K01F-X	MOS FET		
	Q 921	SSM3K01F-X	MOS FET		
	Q 925	DTC144EE-X	TRANSISTOR		
	Q 926	SSM3J01F-X	FET		
	Q 941	SSM3K01F-X	MOS FET		
	Q 943	DTC144EE-X	TRANSISTOR		
	Q 944	SI2305DS-X	TRANSISTOR		
	Q 964	SSM3J01F-X	FET		
	Q 965	DTC144EE-X	TRANSISTOR		
	Q 966	DTA143TE-X	TRANSISTOR		
	R 60	NRSA6AJ-472W	MG RESISTOR		
	R 61	NRSA6AJ-474W	MG RESISTOR		
	R 62	NRSA6AJ-474W	MG RESISTOR		
	R 64	NRSA6AJ-474W	MG RESISTOR		
	R 101	NRSA6AJ-223W	MG RESISTOR		
	R 103	NRSA6AJ-392W	MG RESISTOR		
	R 111	NRSA6AJ-100W	MG RESISTOR		
	R 112	NRSA6AJ-392W	MG RESISTOR		
	R 113	NRSA6AJ-103W	MG RESISTOR		
	R 201	NRSA6AJ-223W	MG RESISTOR		
	R 203	NRSA6AJ-392W	MG RESISTOR		
	R 211	NRSA6AJ-100W	MG RESISTOR		
	R 212	NRSA6AJ-392W	MG RESISTOR		
	R 213	NRSA6AJ-103W	MG RESISTOR		
	R 301	NRZ0053-R22X	MG RESISTOR		
	R 303	NRSA6AJ-124W	MG RESISTOR		
	R 304	NRSA63J-1R0X	MG RESISTOR		
	R 305	NRSA6AJ-122W	MG RESISTOR		
	R 306	NRSA6AJ-124W	MG RESISTOR		
	R 307	NRSA6AJ-104W	MG RESISTOR		
	R 308	NRSA6AJ-0R0W	MG RESISTOR		
	R 310	NRSA6AJ-562W	MG RESISTOR		
	R 311	NRSA6AJ-103W	MG RESISTOR		
	R 314	NRSA6AJ-104W	MG RESISTOR		
	R 315	NRSA6AJ-133W	MG RESISTOR		
	R 316	NRSA6AJ-243W	MG RESISTOR		
	R 317	NRSA6AJ-104W	MG RESISTOR		
	R 318	NRSA6AJ-103W	MG RESISTOR		
	R 320	NRSA6AJ-563W	MG RESISTOR		
	R 321	NRSA6AJ-331W	MG RESISTOR		
	R 322	NRSA6AJ-331W	MG RESISTOR		
	R 323	NRSA6AJ-331W	MG RESISTOR		
	R 324	NRSA6AJ-102W	MG RESISTOR		
	R 325	NRSA6AJ-331W	MG RESISTOR		
	R 326	NRSA6AJ-331W	MG RESISTOR		
	R 328	NRSA6AJ-101W	MG RESISTOR		
	R 335	NRSA6AJ-102W	MG RESISTOR		
	R 336	NRSA6AJ-102W	MG RESISTOR		
	R 337	NRSA6AJ-102W	MG RESISTOR		
	R 338	NRSA6AJ-102W	MG RESISTOR		
	R 339	NRSA63J-100X	MG RESISTOR		
	R 341	NRSA6AJ-562W	MG RESISTOR		
	R 351	NRSA63J-1R0X	MG RESISTOR		
	R 352	NRSA63J-1R0X	MG RESISTOR		
	R 353	NRSA63J-1R0X	MG RESISTOR		
	R 354	NRSA6AJ-104W	MG RESISTOR		
	R 355	NRSA6AJ-0R0W	MG RESISTOR		

△	Item	Parts number	Parts name	Remarks	Area
	R 356	NRSA6AJ-0R0W	MG RESISTOR		
	R 357	NRSA6AJ-0R0W	MG RESISTOR		
	R 364	NRSA6AJ-101W	MG RESISTOR		
	R 366	NRSA6AJ-101W	MG RESISTOR		
	R 367	NRSA6AJ-472W	MG RESISTOR		
	R 369	NRSA6AJ-102W	MG RESISTOR		
	R 371	NRSA6AJ-103W	MG RESISTOR		
	R 372	NRSA6AJ-104W	MG RESISTOR		
	R 373	NRSA6AJ-684W	MG RESISTOR		
	R 376	NRSA6AJ-332W	MG RESISTOR		
	R 377	NRSA6AJ-102W	MG RESISTOR		
	R 378	NRSA6AJ-105W	MG RESISTOR		
	R 379	NRSA6AJ-102W	MG RESISTOR		
	R 380	NRSA6AJ-151W	MG RESISTOR		
	R 385	NRSA6AJ-103W	MG RESISTOR		
	R 386	NRSA6AJ-103W	MG RESISTOR		
	R 387	NRSA6AJ-103W	MG RESISTOR		
	R 388	NRSA6AJ-103W	MG RESISTOR		
	R 400	NRSA6AJ-474W	MG RESISTOR		
	R 402	NRSA63J-1R0X	MG RESISTOR		
	R 450	NRSA6AJ-223W	MG RESISTOR		
	R 451	NRSA6AJ-223W	MG RESISTOR		
	R 454	NRSA6AJ-474W	MG RESISTOR		
	R 455	NRSA63J-1R0X	MG RESISTOR		
	R 459	NRSA6AJ-105W	MG RESISTOR		
	R 460	NRSA63J-225X	MG RESISTOR		
	R 461	NRSA6AJ-333W	MG RESISTOR		
	R 463	NRSA6AJ-0R0W	MG RESISTOR		
	R 466	NRSA63J-1R0X	MG RESISTOR		
	R 501	NRSA6AJ-473W	MG RESISTOR		
	R 503	NRSA6AJ-273W	MG RESISTOR		
	R 504	NRSA6AJ-473W	MG RESISTOR		
	R 506	NRSA6AJ-224W	MG RESISTOR		
	R 507	NRSA6AJ-273W	MG RESISTOR		
	R 508	NRSA6AJ-222W	MG RESISTOR		
	R 509	NRSA6AJ-104W	MG RESISTOR		
	R 510	NRSA6AJ-103W	MG RESISTOR		
	R 511	NRSA6AJ-474W	MG RESISTOR		
	R 512	NRSA6AJ-474W	MG RESISTOR		
	R 513	NRSA6AJ-474W	MG RESISTOR		
	R 514	NRSA6AJ-474W	MG RESISTOR		
	R 516	NRSA6AJ-473W	MG RESISTOR		
	R 517	NRSA6AJ-102W	MG RESISTOR		
	R 523	NRSA6AJ-474W	MG RESISTOR		
	R 527	NRSA6AJ-474W	MG RESISTOR		
	R 529	NRSA6AJ-0R0W	MG RESISTOR		
	R 530	NRSA6AJ-0R0W	MG RESISTOR		
	R 601	NRSA6AJ-474W	MG RESISTOR		
	R 603	NRSA6AJ-474W	MG RESISTOR		
	R 604	NRSA6AJ-474W	MG RESISTOR		
	R 613	NRSA6AJ-4R7W	MG RESISTOR		
	R 901	NRSA6AJ-562W	MG RESISTOR		
	R 902	NRSA6AD-104W	MG RESISTOR		
	R 903	NRSA6AD-683W	MG RESISTOR		
	R 904	NRSA6AJ-684W	MG RESISTOR		
	R 905	NRSA6AD-222W	MG RESISTOR		
	R 908	NRSA6AJ-0R0W	MG RESISTOR		
	R 909	NRSA6AJ-124W	MG RESISTOR		
	R 921	NRSA6AJ-0R0W	MG RESISTOR		
	R 922	NRSA6AJ-474W	MG RESISTOR		
	R 924	NRSA6AD-822W	MG RESISTOR		
	R 925	NRSA6AJ-474W	MG RESISTOR		
	R 926	NRSA6AJ-472W	MG RESISTOR		

■ Electrical parts list (Main board)

Block No. 01

△	Item	Parts number	Parts name	Remarks	Area
	R 928	NRSA6AD-104W	MG RESISTOR		
	R 929	NRSA6AD-683W	MG RESISTOR		
	R 941	NRSA6AJ-0R0W	MG RESISTOR		
	R 942	NRSA6AJ-474W	MG RESISTOR		
	R 943	NRSA6AJ-472W	MG RESISTOR		
	R 944	NRSA6AJ-474W	MG RESISTOR		
	R 945	NRSA6AD-124W	MG RESISTOR		
	R 946	NRSA6AD-154W	MG RESISTOR		
	R 948	NRSA6AJ-153W	MG RESISTOR		
	R 965	NRSA6AJ-474W	MG RESISTOR		
	R 966	NRSA6AJ-472W	MG RESISTOR		
	R 967	NRSA6AJ-220W	MG RESISTOR		
	S 60	NSW0140-001X	DETECT SWITCH		
	S 501	NSW0117-001X	SLIDE SWITCH		
	S 502	NSW0134-001X	TACT SWITCH	ALPS	
	S 503	NSW0134-001X	TACT SWITCH	ALPS	
	S 504	NSW0134-001X	TACT SWITCH	ALPS	
	TH501	NAD0025-224X	THERMISTOR		
	X 300	NAX0439-001X	CRYSTAL		
	X 500	NAX0427-001X	C RESONATOR		

■ Electrical parts list (Jack board)

Block No. 02

△	Item	Parts number	Parts name	Remarks	Area
	J 101	QNS0098-002	3.5 JACK		

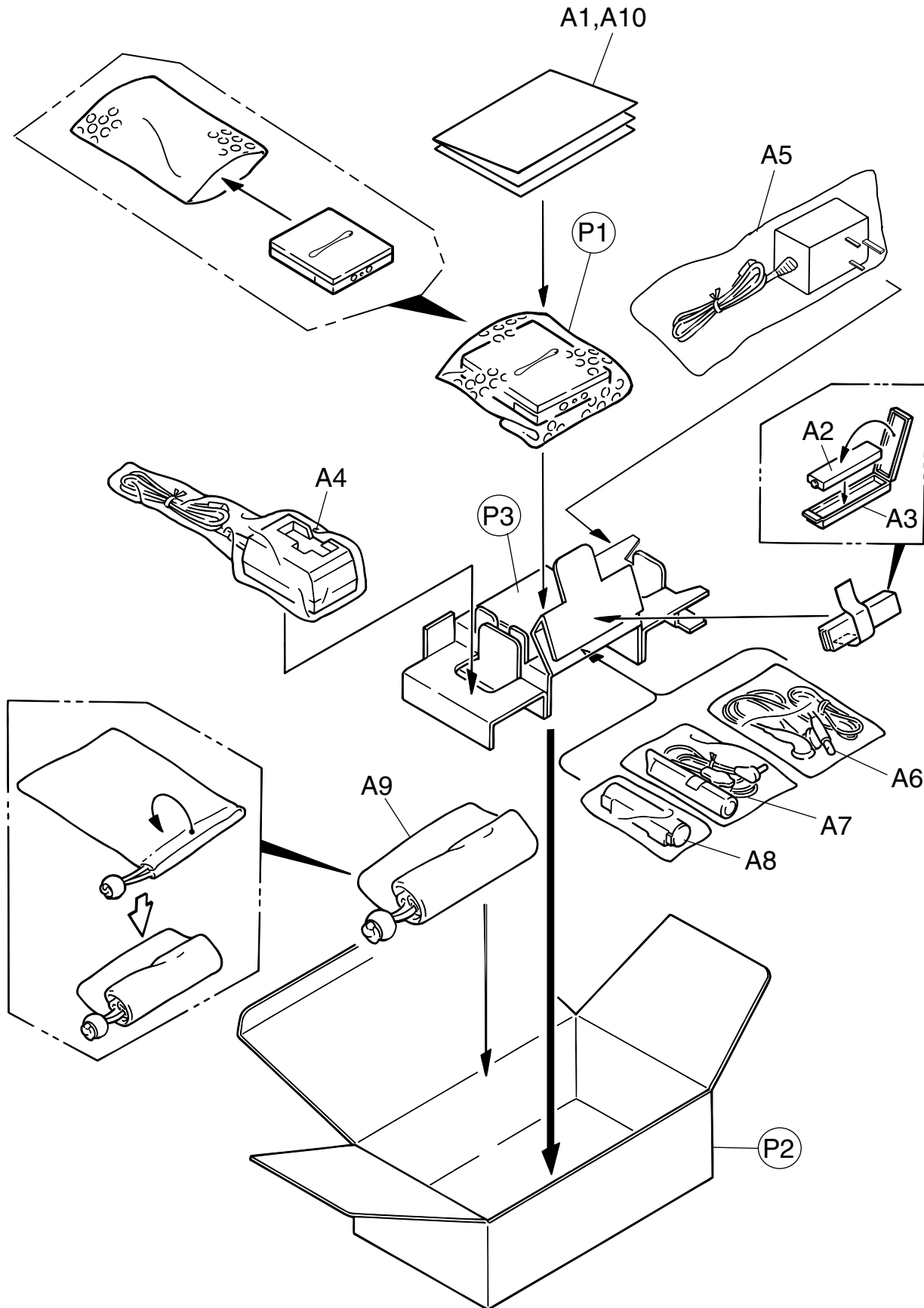
Packing materials and accessories parts list

Block No.

M	3	M	M
---	---	---	---

Block No.

M	4	M	M
---	---	---	---



■ Parts list (Packing)

Block No. M3MM

△	Item	Parts number	Parts name	Q'ty	Description	Area
	P 1	LV30245-003A	POLY BAG	1	FOR SET	
	P 2	LV32523-001A	CARTON	1	XM-PX70WT	
		LV32523-003A	CARTON	1	XM-PX70PN	
		LV32523-002A	CARTON	1	XM-PX70BU	
	P 3	LV31930-002A	PAPER CUSHION	1	FOR CARTON	

■ Parts list (Accessories)

Block No. M4MM

△	Item	Parts number	Parts name	Q'ty	Description	Area
	A 1	LVT0592-001A	INST BOOK	1	ENG	
	A 2	QAB0024-006	NI-MH BATTERY	1		
	A 3	LV30791-001A	BATTERY CASE	1	FOR NI-MH BATT	
	A 4	QAL0121-004	BATT CHARGER	1	AC-R124	
△	A 5	QAL0271-001	AC P ADAPTOR	1	AA-R9025	
	A 6	QAN0021-003	HEAD PHONE	1	XM-PX70BU	
		QAN0021-006	HEADPHONE	1	XM-PX70WT	
		QAN0021-007	HEADPHONE	1	XM-PX70PN	
	A 7	QAL0251-004	REMOCON ASSY	1	XM-PX70PN	
		QAL0251-003	REMOCON ASSY	1	XM-PX70BU,WT	
	A 8	LV31352-001A	BATT CASE ASSY	1		
	A 9	LV32289-002A	SOFT CASE	1	BZ029464-01	
	A 10	LV30258-076A	UB SHEET	1	FOR UB MODEL	